



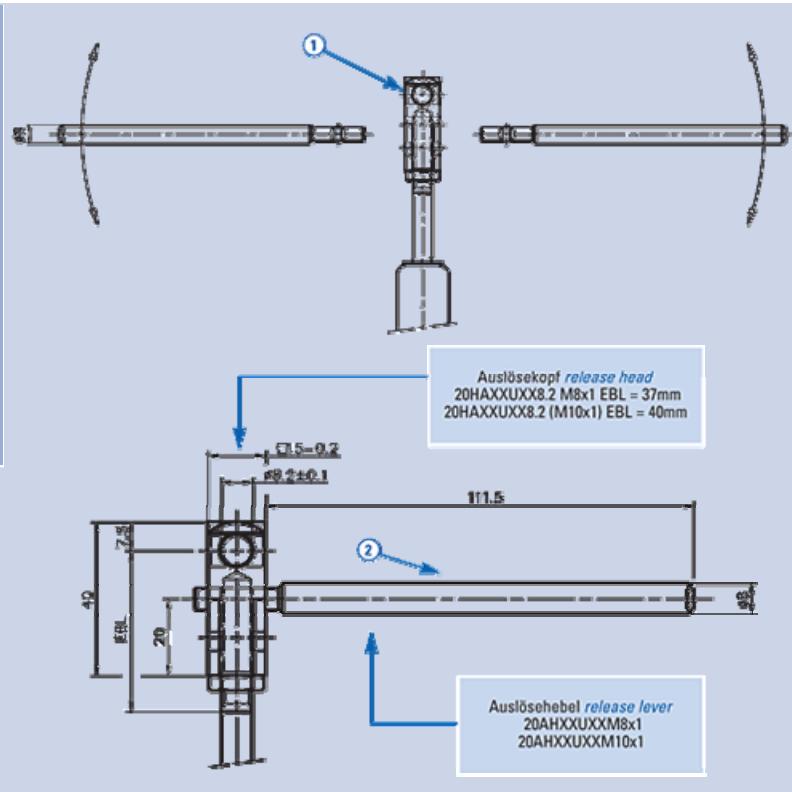
Variable release lever

Gas spring can be released from both sides and in any direction

1
Two mounting holes, 90° offset

2
Variable release lever (additional with cone handle)

10.000 N maximum load in pull direction



Cone grip for release lever

20KGXXUXX

Cone grip for release lever

